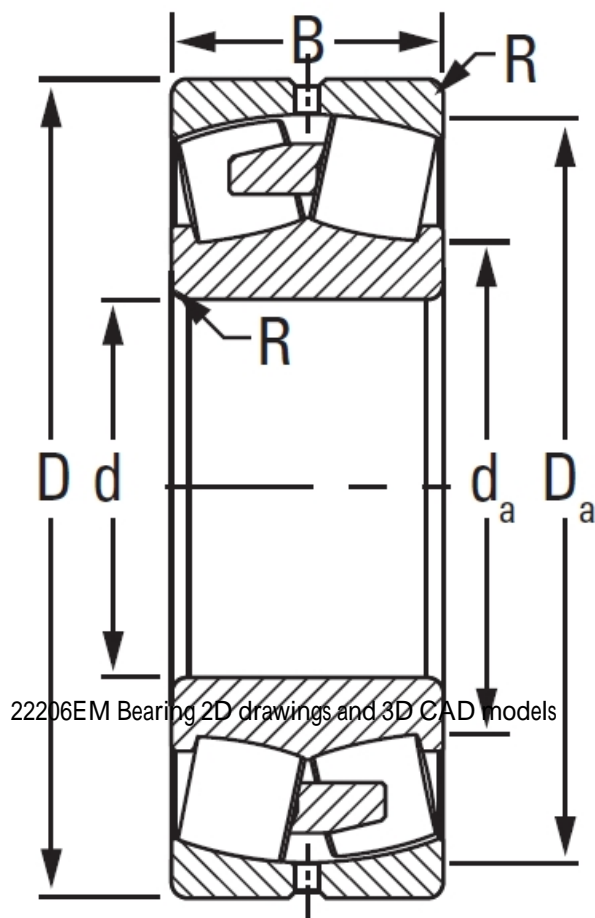




# UNF BRAINGS SALES JAPAN CO.,LTD.

## Timken 22206EM SPHERICAL ROLLER BEARINGS

Bearing No. 22206EM



Design Unit	METRIC
Bearing Weight	0.30 Kg
Cage Type	EM
UPC Code	087796314696
Cage Material	Brass
Superseded Part	22206YM
d	30 mm
D	62 mm
B - Inner Ring Width	20 mm
B - Outer Ring Width	20 mm
R - Inner Ring To Clear Radius <sup>1</sup>	1.0 mm
r - Outer Ring To Clear Radius <sup>2</sup>	1.0 mm
da - Inner Ring Backing Diameter	38.000 mm
Da - Outer Ring Backing Diameter	56.0 mm
C0 - Static Radial Rating	56800 N
C1(2) - Dynamic Radial Rating (Two-Rows)	64300 N
e - ISO Factor <sup>3</sup>	0.31
Y0 - ISO Factor <sup>4</sup>	2.15
Y1 - ISO Factor <sup>5</sup>	3.2
Y2 - ISO Factor <sup>6</sup>	2.1
Reference Thermal Speed Rating (Grease)	7900



## UNF BRAINGS SALES JAPAN CO.,LTD.

Reference Thermal Speed Rating (Oil) <sup>7</sup>	9900
Cg - Geometry Factor <sup>8</sup>	0.0368