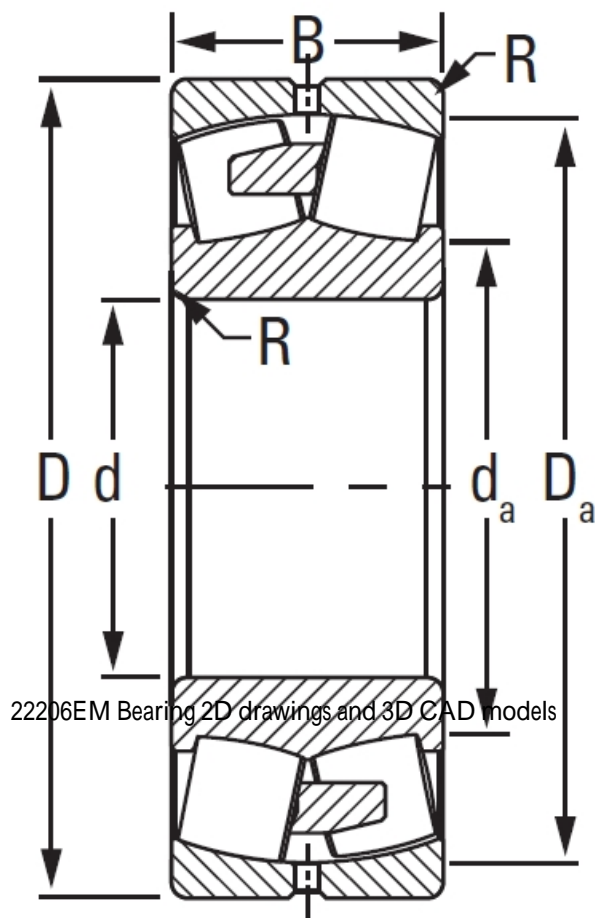




UNF BRAINGS SALES JAPAN CO.,LTD.

Timken 22206EM SPHERICAL ROLLER BEARINGS

Bearing No. 22206EM



Design Unit	METRIC
Bearing Weight	0.30 Kg
Cage Type	EM
UPC Code	087796314696
Cage Material	Brass
Superseded Part	22206YM
d	30 mm
D	62 mm
B - Inner Ring Width	20 mm
B - Outer Ring Width	20 mm
R - Inner Ring To Clear Radius ¹	1.0 mm
r - Outer Ring To Clear Radius ²	1.0 mm
da - Inner Ring Backing Diameter	38.000 mm
Da - Outer Ring Backing Diameter	56.0 mm
C0 - Static Radial Rating	56800 N
C1(2) - Dynamic Radial Rating (Two-Rows)	64300 N
e - ISO Factor ³	0.31
Y0 - ISO Factor ⁴	2.15
Y1 - ISO Factor ⁵	3.2
Y2 - ISO Factor ⁶	2.1
Reference Thermal Speed Rating (Grease)	7900



UNF BRAINGS SALES JAPAN CO.,LTD.

Reference Thermal Speed Rating (Oil) ⁷	9900
Cg - Geometry Factor ⁸	0.0368