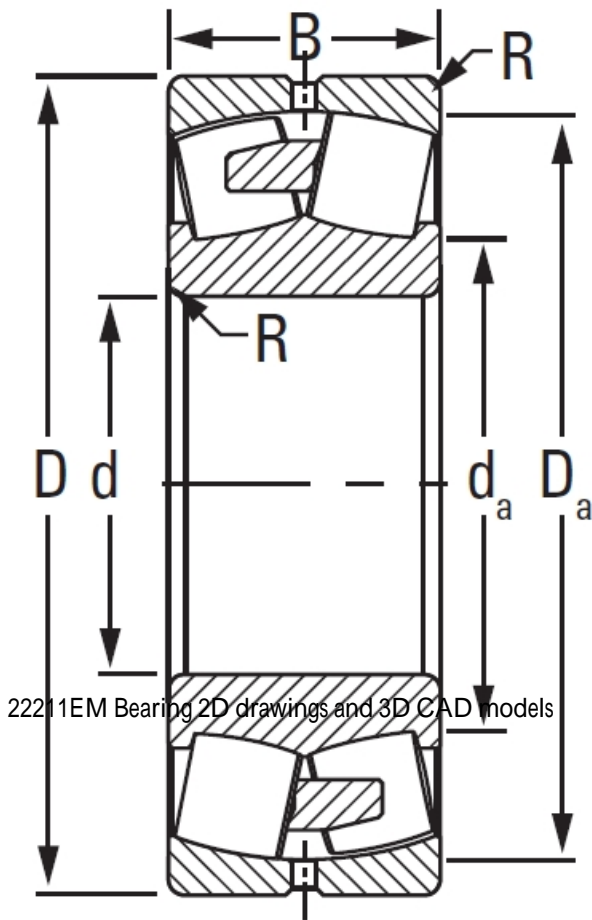




UNF BRAINGS SALES JAPAN CO.,LTD.

Timken 22211EM SPHERICAL ROLLER BEARINGS

Bearing No. 22211EM



Design Unit	METRIC
Bearing Weight	0.9 Kg
Cage Type	EM
Cage Material	Brass
Superseded Part	22211YM
d	55 mm
D	100 mm
B - Inner Ring Width	25 mm
B - Outer Ring Width	25 mm
R - Inner Ring To Clear Radius ¹	1.5 mm
r - Outer Ring To Clear Radius ²	1.5 mm
da - Inner Ring Backing Diameter	66.000 mm
Da - Outer Ring Backing Diameter	91.000 mm
C0 - Static Radial Rating	134000 N
C1(2) - Dynamic Radial Rating (Two-Rows)	134000 N
e - ISO Factor ³	0.23
Y0 - ISO Factor ⁴	2.95
Y1 - ISO Factor ⁵	4.4
Y2 - ISO Factor ⁶	2.89
Reference Thermal Speed Rating (Grease)	4700
Reference Thermal Speed Rating (Oil) ⁷	5900



UNF BRAINGS SALES JAPAN CO.,LTD.

Cg - Geometry Factor ⁸	0.052
-----------------------------------	-------