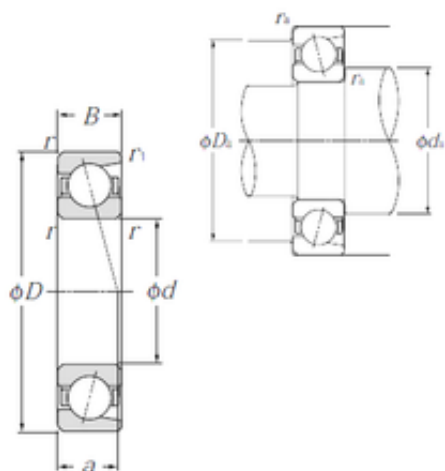




UNF BRAINGS SALES JAPAN CO.,LTD.

85 mm x 150 mm x 28 mm NTN 7217C High Reliability Precision Bearings



Bearing No. 7217C

Size	85x150x28 mm
Bore Diameter	85 mm
Outer Diameter	150 mm
Width	28 mm
d	85 mm
D	150 mm
B	28 mm
C	28 mm
Angle (°)	15 °
a	30 mm
r min.	2 mm
r1 min.	1 mm
Weight	1,73 Kg
Basic dynamic load rating (C)	104 kN
Basic static load rating (C0)	90,5 kN
(Grease) Lubrication Speed	6 900 r/min
(Oil) Lubrication Speed	9 100 r/min

7217C Bearing 2D drawings and 3D CAD models