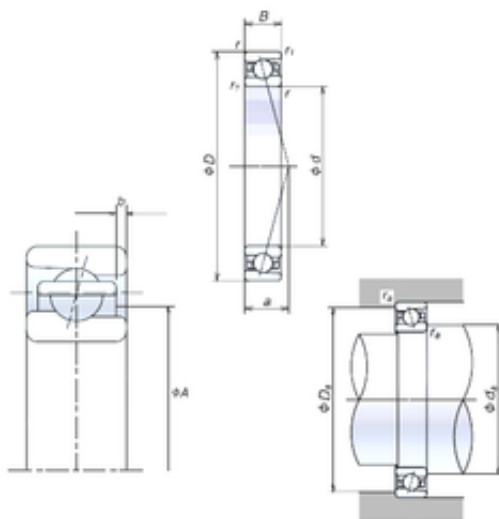




UNF BRAINGS SALES JAPAN CO.,LTD.

85 mm x 120 mm x 18 mm NSK 85BER19S High Reliability Precision Bearings

Bearing No. 85BER19S



85BER19S Bearing 2D drawings and 3D CAD models

Size	85x120x18 mm
Bore Diameter	85 mm
Outer Diameter	120 mm
Width	18 mm
d	85 mm
D	120 mm
B	18 mm
C	18 mm
Angle (°)	25 °
a	32,9 mm
b	0,7 mm
r min.	1,1 mm
r1 min.	0,6 mm
A	98,5 mm
da min.	92 mm
Da max.	113 mm
ra max.	1 mm
Weight	0,527 Kg
Basic dynamic load rating (C)	28,1 kN
Basic static load rating (C0)	25,2 kN
(Grease) Lubrication Speed	11800 r/min