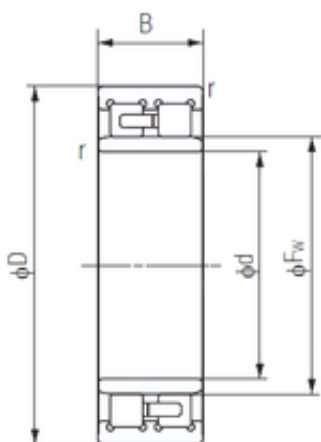




UNF BRAINGS SALES JAPAN CO.,LTD.



120 mm x 165 mm x 45 mm NACHI NNU4924 Machined Brass Cages Angular Contact Ball Bearings

Bearing No. NNU4924

Size	120x165x45 mm
Bore Diameter	120 mm
Outer Diameter	165 mm
Width	45 mm
d	120 mm
Fw	134,5 mm
D	165 mm
B	45 mm
C	45 mm
r min.	1,1 mm
Weight	2,65 Kg
Basic dynamic load rating (C)	183 kN
Basic static load rating (C0)	360 kN
(Grease) Lubrication Speed	5300 r/min

NNU4924 Bearing 2D drawings and 3D CAD models