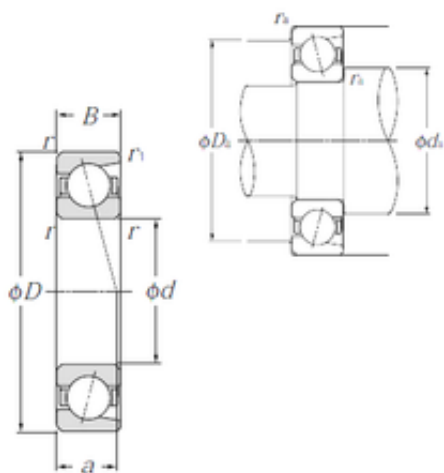




UNF BRAINGS SALES JAPAN CO.,LTD.

70 mm x 90 mm x 10 mm NTN 7814C Matched Angular Contact Ball Bearings



Bearing No. 7814C

Size	70x90x10 mm
Bore Diameter	70 mm
Outer Diameter	90 mm
Width	10 mm
d	70 mm
D	90 mm
B	10 mm
C	10 mm
Angle (°)	15 °
a	15,5 mm
r min.	0,6 mm
r1 min.	0,3 mm
Weight	0,13 Kg
Basic dynamic load rating (C)	14,5 kN
Basic static load rating (C0)	15,8 kN
(Grease) Lubrication Speed	10 000 r/min
(Oil) Lubrication Speed	14 000 r/min

7814C Bearing 2D drawings and 3D CAD models