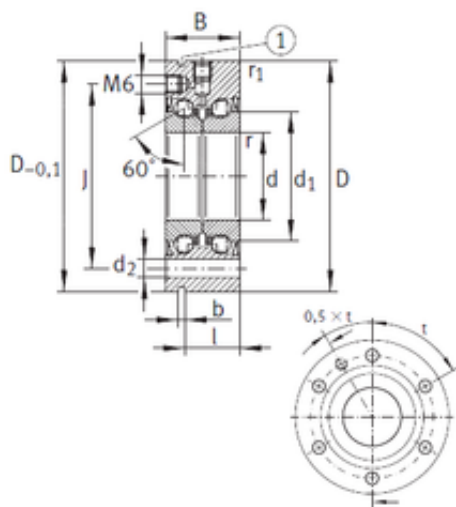




# UNF BRAINGS SALES JAPAN CO.,LTD.



## 12 mm x 55 mm x 25 mm INA ZKLF1255-2RS Pressed Steel Cages Single-Row Angular Contact Ball Bearings

Bearing No. ZKLF1255-2RS

Size	12x55x25 mm
Bore Diameter	12 mm
Outer Diameter	55 mm
Width	25 mm
d	12 mm
D	55 mm
B	25 mm
C	25 mm
Screw	3
l	17 mm
Angle (?)	60 °
b	3 mm
d1	25 mm
d2	6,8 mm
r min.	0,3 mm
r1 min.	0,6 mm
J	42 mm
Bolt (G)	M6
Weight	0,37 Kg
Basic dynamic load rating (C)	16,9 kN
Basic static load rating (C0)	24,7 kN
Category	Angular Contact Ball Bearings
Inventory	0.0

ZKLF1255-2RS Bearing 2D drawings and 3D CAD models



## UNF BRAINGS SALES JAPAN CO.,LTD.

Manufacturer Name	SCHAEFFLER GROUP
Minimum Buy Quantity	N/A
Weight / Kilogram	0
Product Group	L00280
Enclosure	2 Seals
Flush Ground	No
Rolling Element	Ball Bearing
Number of Rows of Balls	Double Row
Precision Class	ABEC 1   ISO P0
Maximum Capacity / Filling Slot	No
Snap Ring	Yes
Cage Material	Plastic
Contact Angle	60 Degree
Internal Clearance	C0-Medium
Number of Bearings	1 (Single)
Inch - Metric	Metric
Long Description	12MM Bore; 55MM Outside Diameter; 25MM Width; 2 Seals; No Flush Ground; Ball Bearing; Double Row of Balls; ABEC 1   ISO P0; No Filling Slot; Yes Snap Ring; C0-Medium; Plastic Cage; 60 Degree; 1 (Singl
Other Features	With Fixing Holes   With Snap Ring Groove
Category	Angular Contact Ball Bearing
UNSPSC	31171531
Harmonized Tariff Code	8482.10.50.28
Noun	Bearing
Keyword String	Angular Contact
Manufacturer URL	<a href="http://www.ina.com">http://www.ina.com</a>
Manufacturer Item Number	ZKLF1255-2RS



## UNF BRAINGS SALES JAPAN CO.,LTD.

Weight / LBS	0.9768
Width	0.984 Inch   25 Millimeter
Bore	0.472 Inch   12 Millimeter
Outside Diameter	2.165 Inch   55 Millimeter