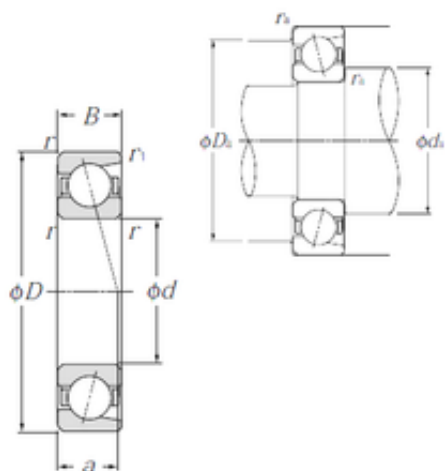




UNF BRAINGS SALES JAPAN CO.,LTD.

12 mm x 32 mm x 10 mm NTN 7201C Reduced Torque from Optimized Design Precision Bearings



Bearing No. 7201C

Size	12x32x10 mm
Bore Diameter	12 mm
Outer Diameter	32 mm
Width	10 mm
d	12 mm
D	32 mm
B	10 mm
C	10 mm
Angle (°)	15 °
a	8 mm
r min.	0,6 mm
r1 min.	0,3 mm
Weight	0,036 Kg
Basic dynamic load rating (C)	7,1 kN
Basic static load rating (C0)	3,45 kN
(Grease) Lubrication Speed	36 000 r/min
(Oil) Lubrication Speed	49 000 r/min

7201C Bearing 2D drawings and 3D CAD models