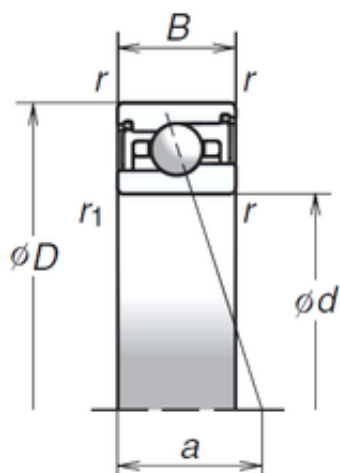




UNF BRAINGS SALES JAPAN CO.,LTD.



90 mm x 125 mm x 22 mm NSK
 90BER29HV1V Reduced Torque from Optimized
 Design Precision Bearings

Bearing No. 90BER29HV1V

| | |
|-------------------------------|--------------|
| Size | 90x125x22 mm |
| Bore Diameter | 90 mm |
| Outer Diameter | 125 mm |
| Width | 22 mm |
| d | 90 mm |
| D | 125 mm |
| B | 22 mm |
| C | 22 mm |
| Angle () | 25 ° |
| a | 36,1 mm |
| r min. | 1,1 mm |
| r1 min. | 0,6 mm |
| Weight | 0,582 Kg |
| Basic dynamic load rating (C) | 30 kN |
| Basic static load rating (C0) | 28,5 kN |
| (Grease) Lubrication Speed | 14 900 r/min |

90BER29HV1V Bearing 2D drawings and 3D CAD models