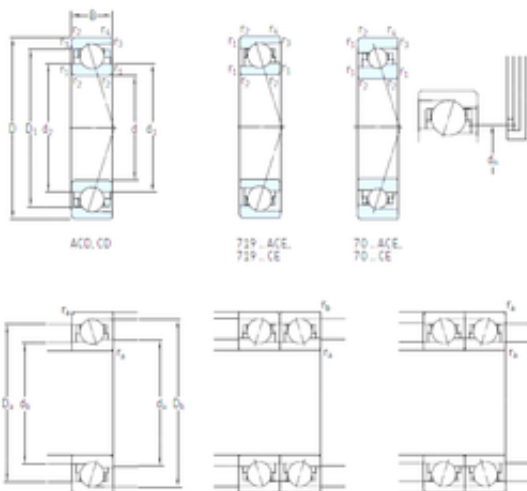




UNF BRAINGS SALES JAPAN CO.,LTD.



10 mm x 30 mm x 9 mm SKF 7200 CD/HCP4A
Reduced Torque from Optimized outline
exactitude Bearings

Bearing No. 7200 CD/HCP4A

7200 CD/HCP4A Bearing 2D drawings and 3D CAD models

| | |
|---------------------------|------------|
| Size | 10x30x9 mm |
| Bore Diameter | 10 mm |
| Outer Diameter | 30 mm |
| Width | 9 mm |
| d | 10 mm |
| D | 30 mm |
| B | 9 mm |
| C | 9 mm |
| d1 | 17,3 mm |
| d2 | 17,3 mm |
| r1 min. | 0,6 mm |
| r2 min. | 0,6 mm |
| r3 min. | 0,3 mm |
| r4 min. | 0,3 mm |
| D1 | 23,1 mm |
| D2 | 24,3 mm |
| da min. | 14,2 mm |
| Da max. | 25,8 mm |
| db min | 14,2 mm |
| ra max. | 0,6 mm |
| rb max. | 0,3 mm |
| dh | 18,3 mm |
| Db max | 27,6 mm |
| Weight | 0,029 Kg |
| Basic dynamic load rating | 4,49 kN |



UNF BRAINGS SALES JAPAN CO.,LTD.

| | |
|--|-----------------------|
| (C) | |
| Basic static load rating (C ₀) | 1,93 kN |
| (Grease) Lubrication Speed | 70 000 r/min |
| (Oil) Lubrication Speed | 100 000 r/min |
| Fatigue load limit (P _u) | 0,08 |
| d ₁ | 17.3 mm |
| d ₂ | 17.3 mm |
| D ₁ | 23.1 mm |
| r _{1,2} min. | 0.6 mm |
| r _{3,4} min. | 0.3 mm |
| a | 7.3 mm |
| d _a min. | 14.2 mm |
| d _b min. | 14.2 mm |
| D _a max. | 25.8 mm |
| D _b max. | 27.6 mm |
| r _a max. | 0.6 mm |
| r _b max. | 0.3 mm |
| d _n | 18.3 mm |
| Basic dynamic load rating C | 4.49 kN |
| Basic static load rating C ₀ | 1.93 kN |
| Fatigue load limit P _u | 0.08 kN |
| Attainable speed for grease lubrication | 70000 r/min |
| Attainable speed for oil-air lubrication | 100000 r/min |
| Ball diameter D _w | 4.762 mm |
| Number of balls z | 10 |
| Reference grease quantity G _{ref} | 0.357 cm ³ |
| Preload class A G _A | 17 N |
| Static axial stiffness, preload class A | 16 N/ μ m |
| Preload class B G _B | 34 N |
| | |



UNF BRAINGS SALES JAPAN CO.,LTD.

| | |
|---|---------------|
| Static axial stiffness, preload class B | 21 N/ μ m |
| Preload class C G_C | 68 N |
| Static axial stiffness, preload class C | 29 N/ μ m |
| Preload class D G_D | 136 N |
| Static axial stiffness, preload class D | 41 N/ μ m |
| Calculation factor f | 1.02 |
| Calculation factor f_1 | 1 |
| Calculation factor f_{2A} | 1 |
| Calculation factor f_{2B} | 1.01 |
| Calculation factor f_{2C} | 1.03 |
| Calculation factor f_{2D} | 1.06 |
| Calculation factor f_{HC} | 1.01 |
| Calculation factor f_0 | 8.8 |
| Mass bearing | 0.029 kg |