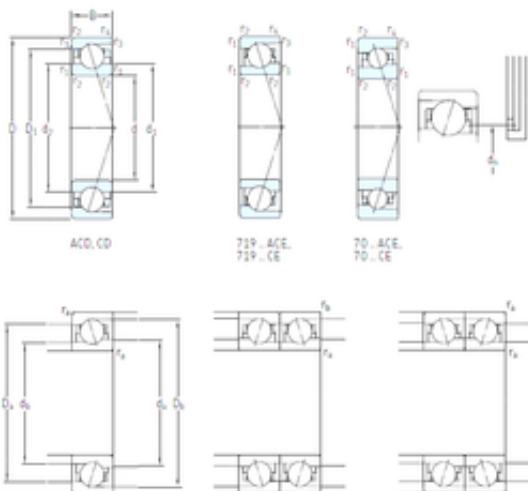




UNF BRAINGS SALES JAPAN CO.,LTD.



10 mm x 30 mm x 9 mm SKF 7200 CD/HCP4A
Reduced Torque from Optimized invent accuracy
Bearings

Bearing No. 7200 CD/HCP4A

7200 CD/HCP4A Bearing 2D drawings and 3D CAD models

Size	10x30x9 mm
Bore Diameter	10 mm
Outer Diameter	30 mm
Width	9 mm
d	10 mm
D	30 mm
B	9 mm
C	9 mm
d1	17,3 mm
d2	17,3 mm
r1 min.	0,6 mm
r2 min.	0,6 mm
r3 min.	0,3 mm
r4 min.	0,3 mm
D1	23,1 mm
D2	24,3 mm
da min.	14,2 mm
Da max.	25,8 mm
db min	14,2 mm
ra max.	0,6 mm
rb max.	0,3 mm
dh	18,3 mm
Db max	27,6 mm
Weight	0,029 Kg
Basic dynamic load rating	4,49 kN



UNF BRAINGS SALES JAPAN CO.,LTD.

(C)	
Basic static load rating (C ₀)	1,93 kN
(Grease) Lubrication Speed	70 000 r/min
(Oil) Lubrication Speed	100 000 r/min
Fatigue load limit (P _u)	0,08
d ₁	17.3 mm
d ₂	17.3 mm
D ₁	23.1 mm
r _{1,2} min.	0.6 mm
r _{3,4} min.	0.3 mm
a	7.3 mm
d _a min.	14.2 mm
d _b min.	14.2 mm
D _a max.	25.8 mm
D _b max.	27.6 mm
r _a max.	0.6 mm
r _b max.	0.3 mm
d _n	18.3 mm
Basic dynamic load rating C	4.49 kN
Basic static load rating C ₀	1.93 kN
Fatigue load limit P _u	0.08 kN
Attainable speed for grease lubrication	70000 r/min
Attainable speed for oil-air lubrication	100000 r/min
Ball diameter D _w	4.762 mm
Number of balls z	10
Reference grease quantity G _{ref}	0.357 cm ³
Preload class A G _A	17 N
Static axial stiffness, preload class A	16 N/ μ m
Preload class B G _B	34 N



UNF BRAINGS SALES JAPAN CO.,LTD.

Static axial stiffness, preload class B	21 N/ μ m
Preload class C G_C	68 N
Static axial stiffness, preload class C	29 N/ μ m
Preload class D G_D	136 N
Static axial stiffness, preload class D	41 N/ μ m
Calculation factor f	1.02
Calculation factor f_1	1
Calculation factor f_{2A}	1
Calculation factor f_{2B}	1.01
Calculation factor f_{2C}	1.03
Calculation factor f_{2D}	1.06
Calculation factor f_{HC}	1.01
Calculation factor f_0	8.8
Mass bearing	0.029 kg